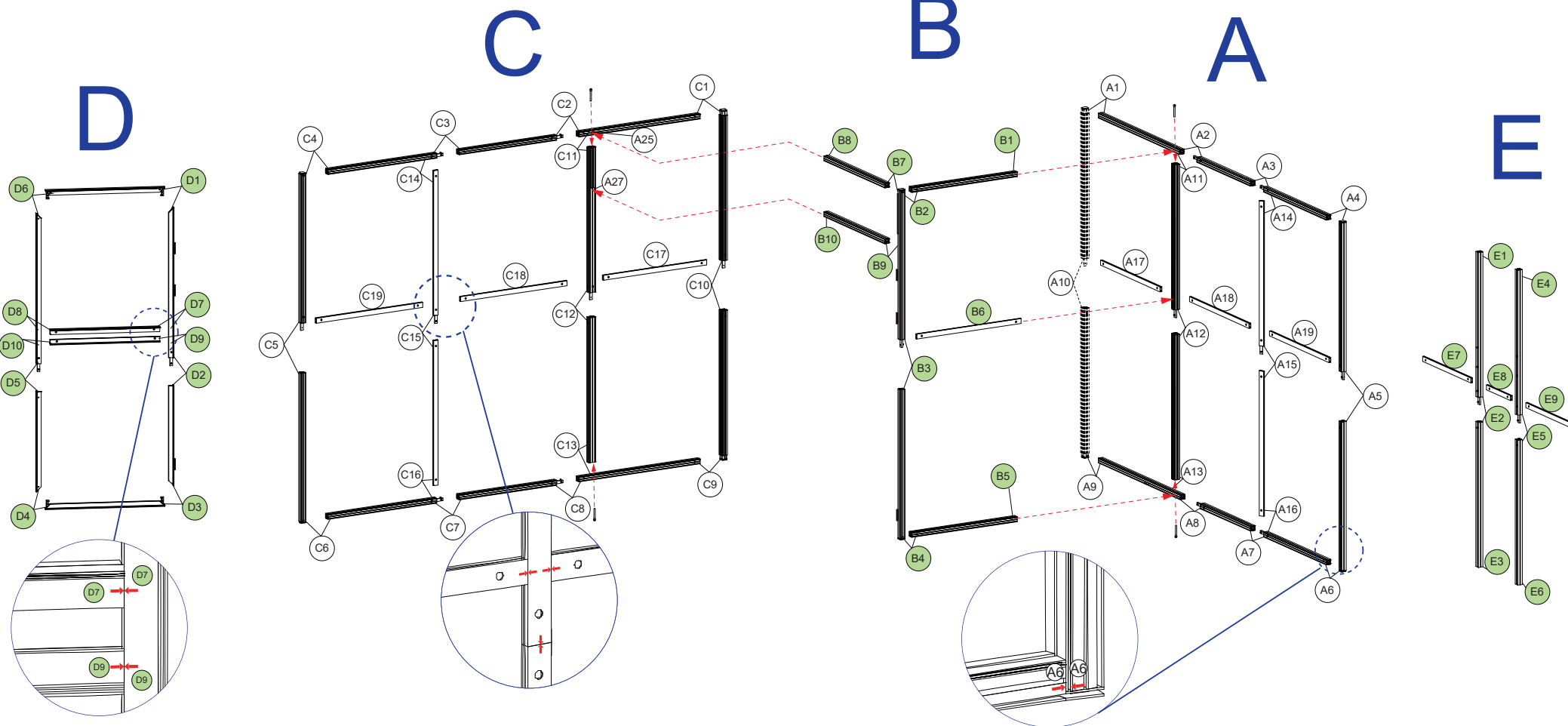
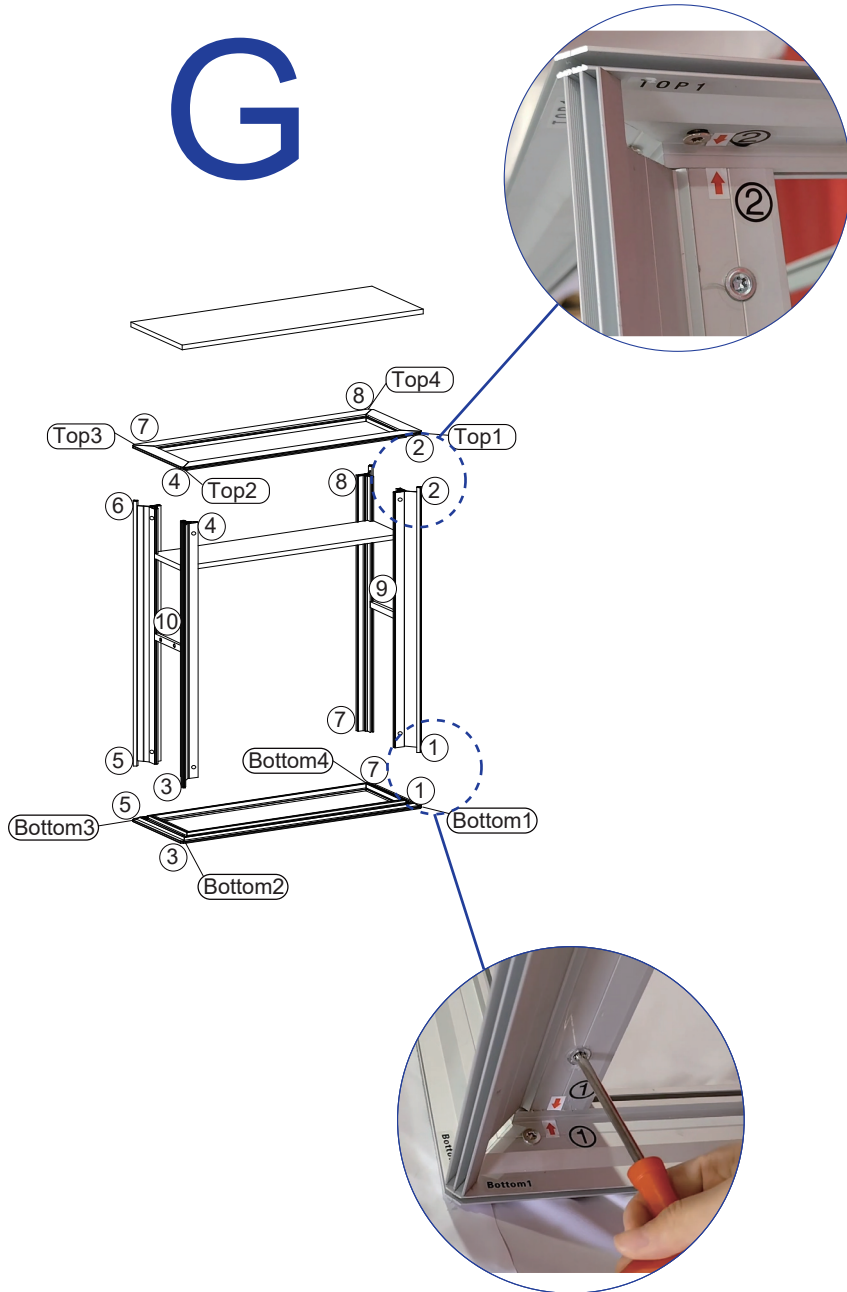


# T40 Modular Collapsible Exhibition Booth

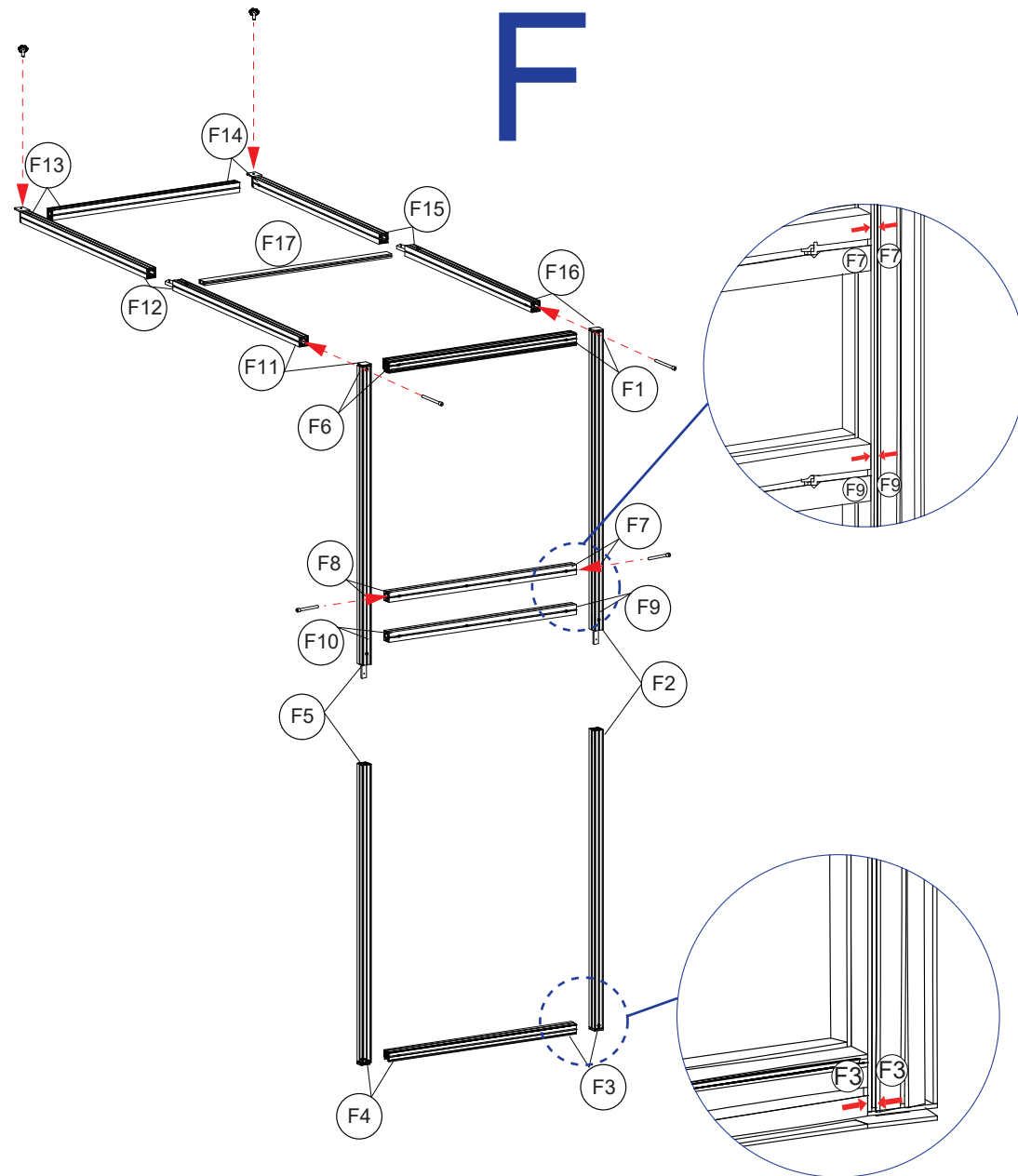


# T40 Modular Collapsible Exhibition Booth

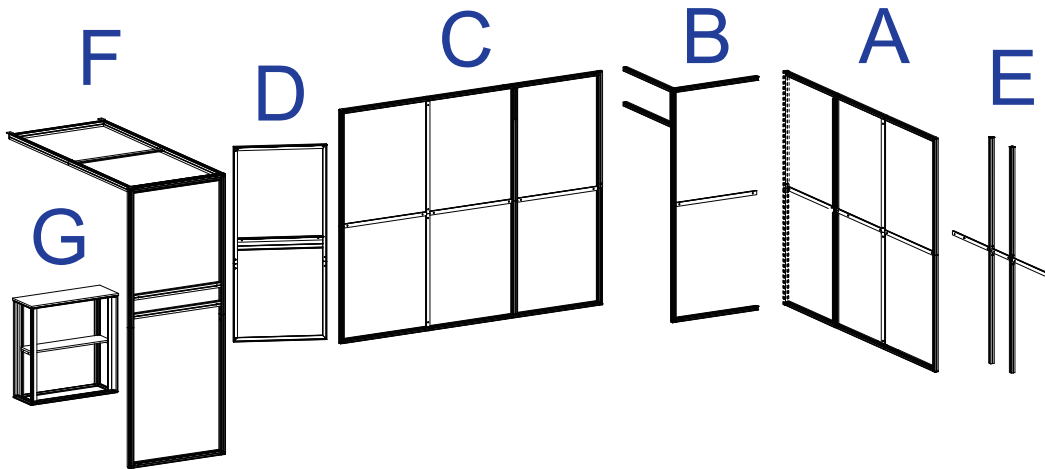
## G



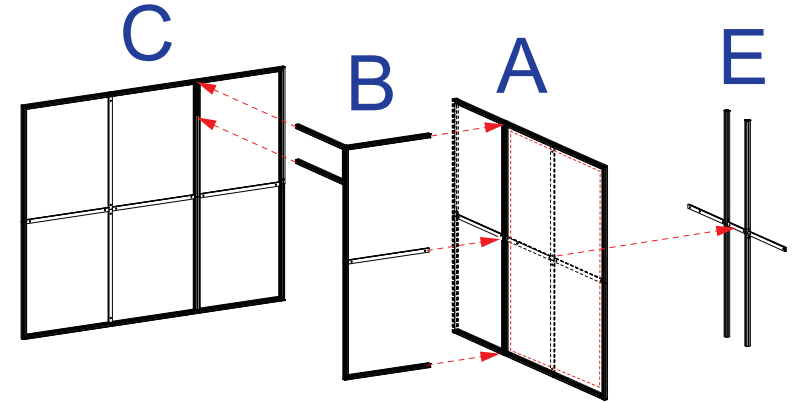
## F



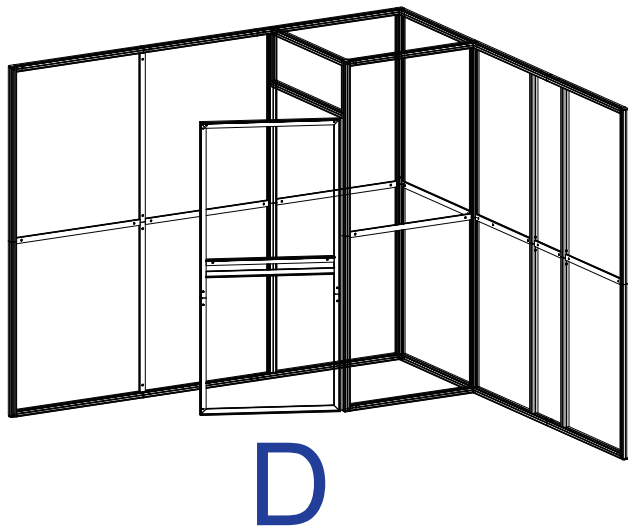
# T40 Modular Collapsible Exhibition Booth



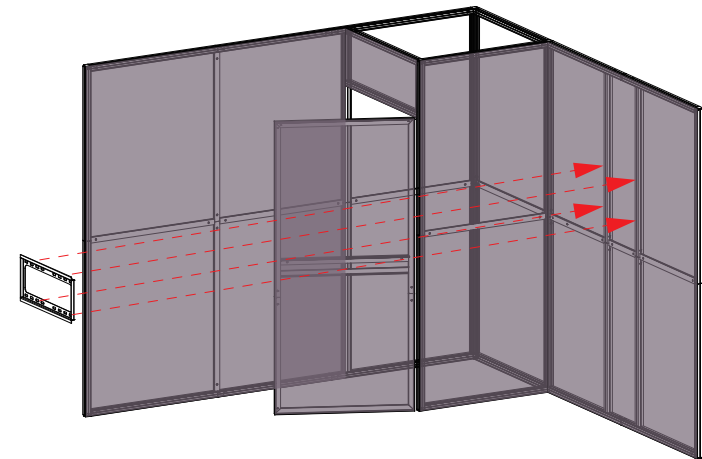
1. Assemble modules A to G individually, as illustrated in the diagram.



2. Then, connect modules A, B, and C together to form a booth.  
If you plan to install the screen monitor, replace the "cross frame" (dot line part) inside module A with module E.

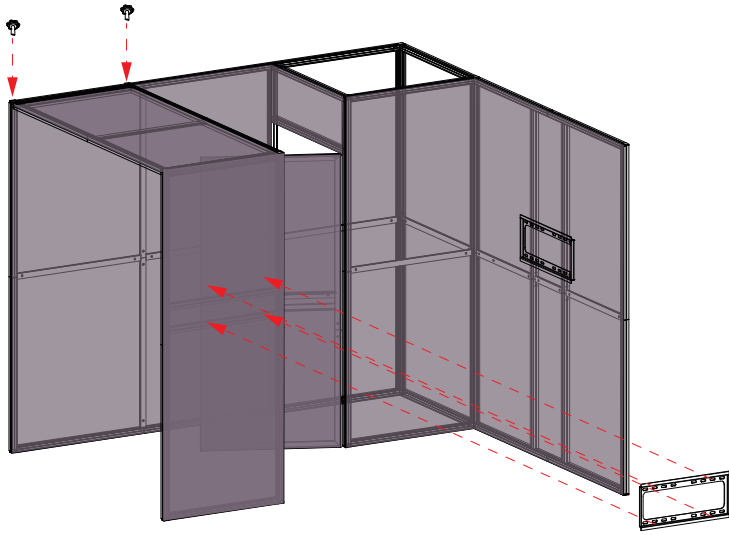


3. Attach module D as illustrated in the diagram.

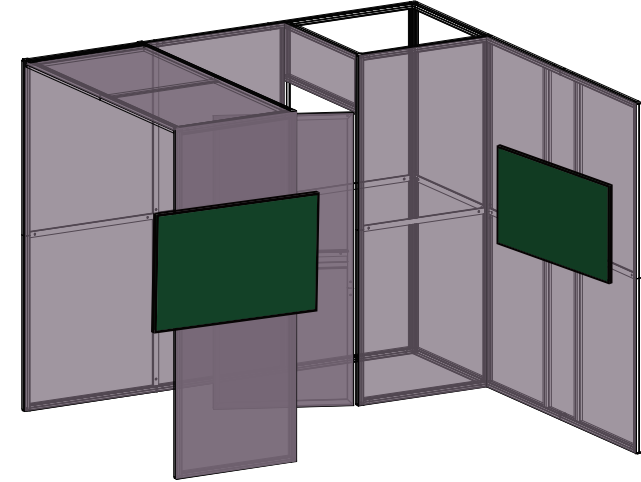


4. Install the front and back graphics, then mount one of the TV racks onto module A.

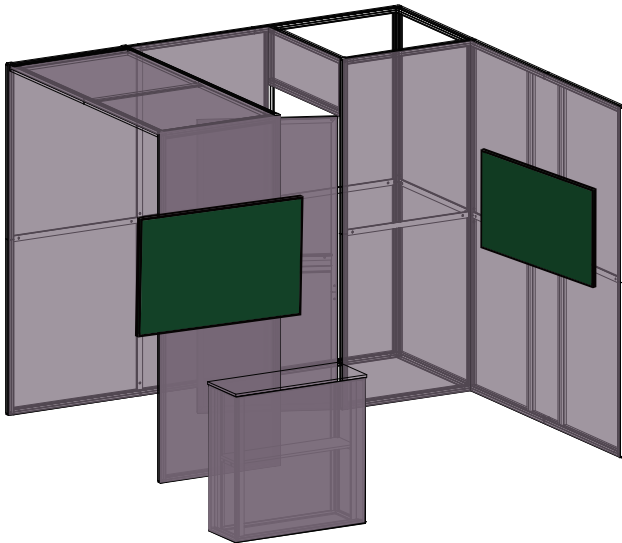
# T40 Modular Collapsible Exhibition Booth



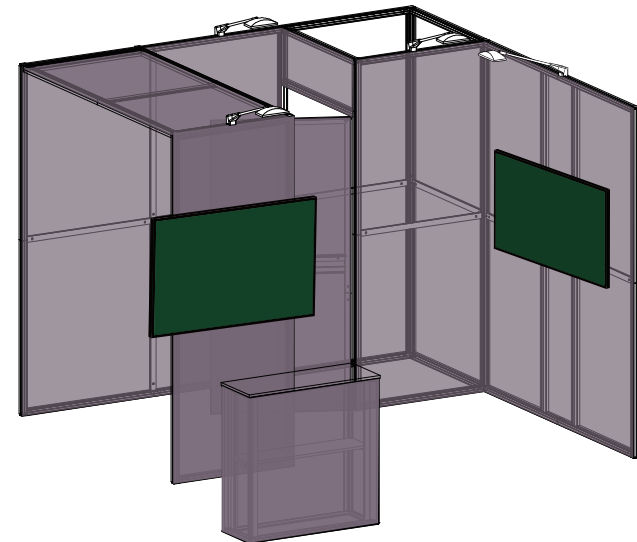
5. Attach module F to the main structure, and then mount another TV rack onto module D.



6. Secure the TV to the main structure.



7. Install the graphic for module E.



8. Finally, attach the spotlight. Assembly is now complete!